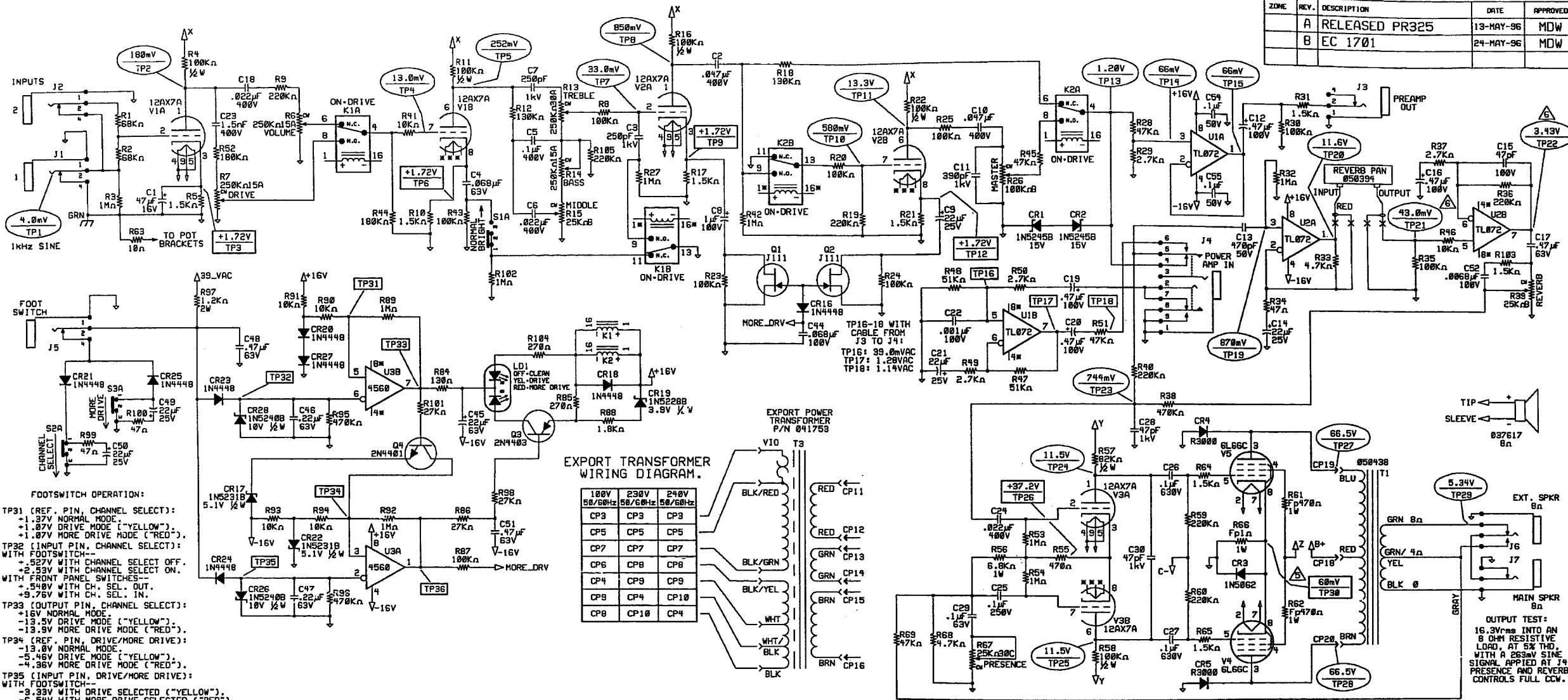


REVISIONS				
ZONE	REV.	DESCRIPTION	DATE	APPROVED
	A	RELEASED PR325	13-MAY-96	MDW
	B	EC 1701	24-MAY-96	MDW



FOOTSWITCH OPERATION:

TP31 (REF. PIN, CHANNEL SELECT):
 -1.37V NORMAL MODE.
 -1.37V DRIVE MODE ("YELLOW").
 -1.87V MORE DRIVE MODE ("RED").

TP32 (INPUT PIN, CHANNEL SELECT):
 WITH FOOTSWITCH--
 -0.27V WITH CHANNEL SELECT OFF.
 -2.53V WITH CHANNEL SELECT ON.
 WITH FRONT PANEL SWITCHES--
 -5.40V WITH CH. SEL. OUT.
 -9.76V WITH CH. SEL. IN.

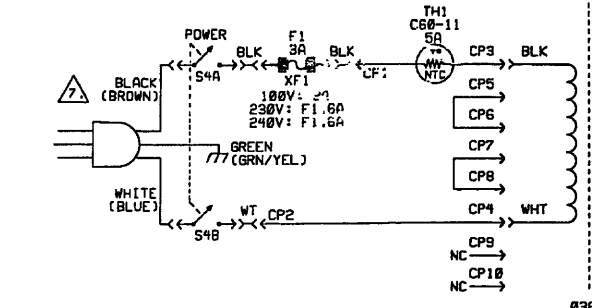
TP33 (OUTPUT PIN, CHANNEL SELECT):
 -16V NORMAL MODE.
 -13.5V DRIVE MODE ("YELLOW").
 -13.9V MORE DRIVE MODE ("RED").

TP34 (REF. PIN, DRIVE/MORE DRIVE):
 -13.8V NORMAL MODE.
 -5.46V DRIVE MODE ("YELLOW").
 -4.36V MORE DRIVE MODE ("RED").

TP35 (INPUT PIN, DRIVE/MORE DRIVE):
 WITH FOOTSWITCH--
 -3.33V WITH DRIVE SELECTED ("YELLOW").
 -6.54V WITH MORE DRIVE SELECTED ("RED").
 WITH FRONT PANEL SWITCHES--
 -5.4V WITH MORE DRIVE OUT.
 -10.0V WITH MORE DRIVE IN.

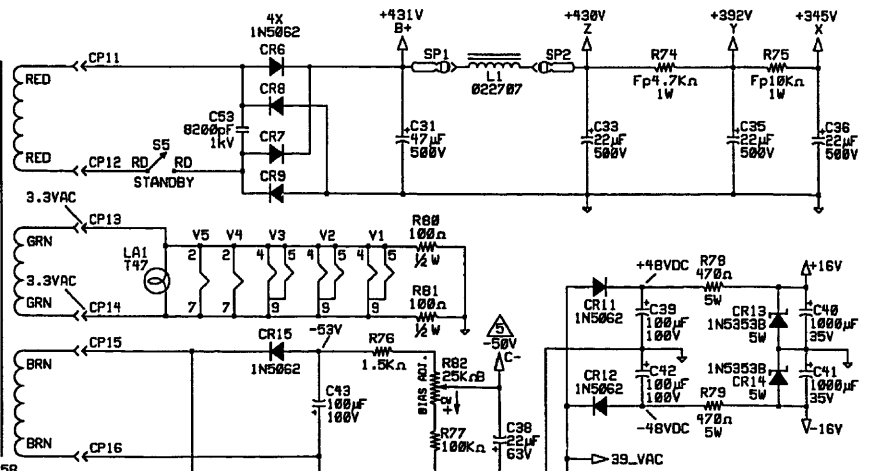
TP36 (OUTPUT PIN, DRIVE/MORE DRIVE):
 -16V NORMAL MODE.
 -16V DRIVE MODE ("YELLOW").
 -16V MORE DRIVE MODE ("RED").

NOTE:
 THE FOOTSWITCH OVERRIDES THE FRONT PANEL SWITCHES.



EXPORT TRANSFORMER WIRING DIAGRAM.

100V	230V	240V
CP3	CP3	CP3
CP5	CP5	CP5
CP7	CP7	CP7
CP6	CP8	CP8
CP4	CP9	CP9
CP8	CP10	CP4



NOTES: (UNLESS SPECIFIED OTHERWISE)

- LAST INSTANCES: C55 CP20 CR28 F1 J7 K2 L1 LA1 L01 Q4 R105 S5 T2 TH1 U3 V5
- SIX DIGIT NUMBERS ARE FENDER PART NUMBERS.
- ALL RESISTORS 1/4W 5% CARBON FILM.
- ALL VOLTAGES MEASURED WITH RESPECT TO GROUND USING A TRUE RMS DVM OF 1MΩ AC INPUT IMPEDANCE AND OF 10MΩ DC INPUT IMPEDANCE. VOLTAGES MAY VARY ±20%. TEST CONDITIONS:
 LINE VOLTAGE: 120VAC 60Hz
 ALL DC AND SUPPLY MEASUREMENTS MADE WITH NO INPUT SIGNAL.
 REVERB CONTROL AT FULL CCW
 ALL OTHER CONTROLS AT 50% ROTATION.
 NORMAL BRIGHT SWITCH OUT.
 DRIVE ("YELLOW") MODE SELECTED.
 BIAS SET TO 30mA PER OUTPUT TUBE. SEE NOTE 5.

⚠️ BIAS ADJUSTMENT - NO SIGNAL APPLIED, RATED LINE VOLTAGE AT T2 POWER TRANSFORMER PRIMARY
 SET BIAS ADJUST POT R82 TO OBTAIN A READING OF +60mV AT TP38 VOLTAGE SHOWN AT BIAS POT WIPER IS FOR REFERENCE ONLY.

⚠️ READINGS OBSERVED AT TP21 AND TP22 WILL VARY GREATLY DEPENDING ON INDIVIDUAL REVERB PAN RESPONSE. THE VOLTAGE GAIN AT U2B SHOULD BE 82.

⚠️ COLORS IN PARENTHESES ARE FOR 230V AND 240V UNITS.

OUTPUT TEST:
 16.3Vrms INTO AN 8 ΩH RESISTIVE LOAD, AT 5% THD, WITH A 263mV SINE SIGNAL APPLIED AT J4. PRESENCE AND REVERB CONTROLS FULL CCW.

DATABASE FILE: 2325.DBF CHECKED BY: JLA DATE: 08-MAY-96 APPROVED: MDW DATE: 13-MAY-96 TOLERANCES: UNLESS OTHERWISE SPECIFIED X.X .50% X.XX .010% X.XXX .005% ANGLES .500°	PROPRIETARY THIS DRAWING OR ANY INFORMATION CONTAINED HEREIN IS THE PROPERTY OF FENDER MUSICAL INSTRUMENTS CO. AND MAY NOT BE USED, REPRODUCED OR TRANSMITTED IN ANY FORM OR BY ANY MEANS WITHOUT THE EXPRESS WRITTEN PERMISSION OF FENDER MUSICAL INSTRUMENTS CO. FENDER MUSICAL INSTRUMENTS CO. 2621 Research Drive Corona, CA 91720 USA TITLE: SCHEMATIC DIAGRAM HOT ROD DELUXE SIZE: DRAWING NUMBER: 050397 B DRAWN BY: M.WILKINS CHECKED BY: M.WILKINS NEXT HIGHER ASSEMBLY: 050408 PCB ASSY SCALE: NONE PLOTTED: 12-JUN-96 SHEET 1 OF 1
---------------------------------------------------------------------------------------------------------------------------------------------------------------------------------------------------------	---------------------------------------------------------------------------------------------------------------------------------------------------------------------------------------------------------------------------------------------------------------------------------------------------------------------------------------------------------------------------------------------------------------------------------------------------------------------------------------------------------------------------------------------------------------------------------------------

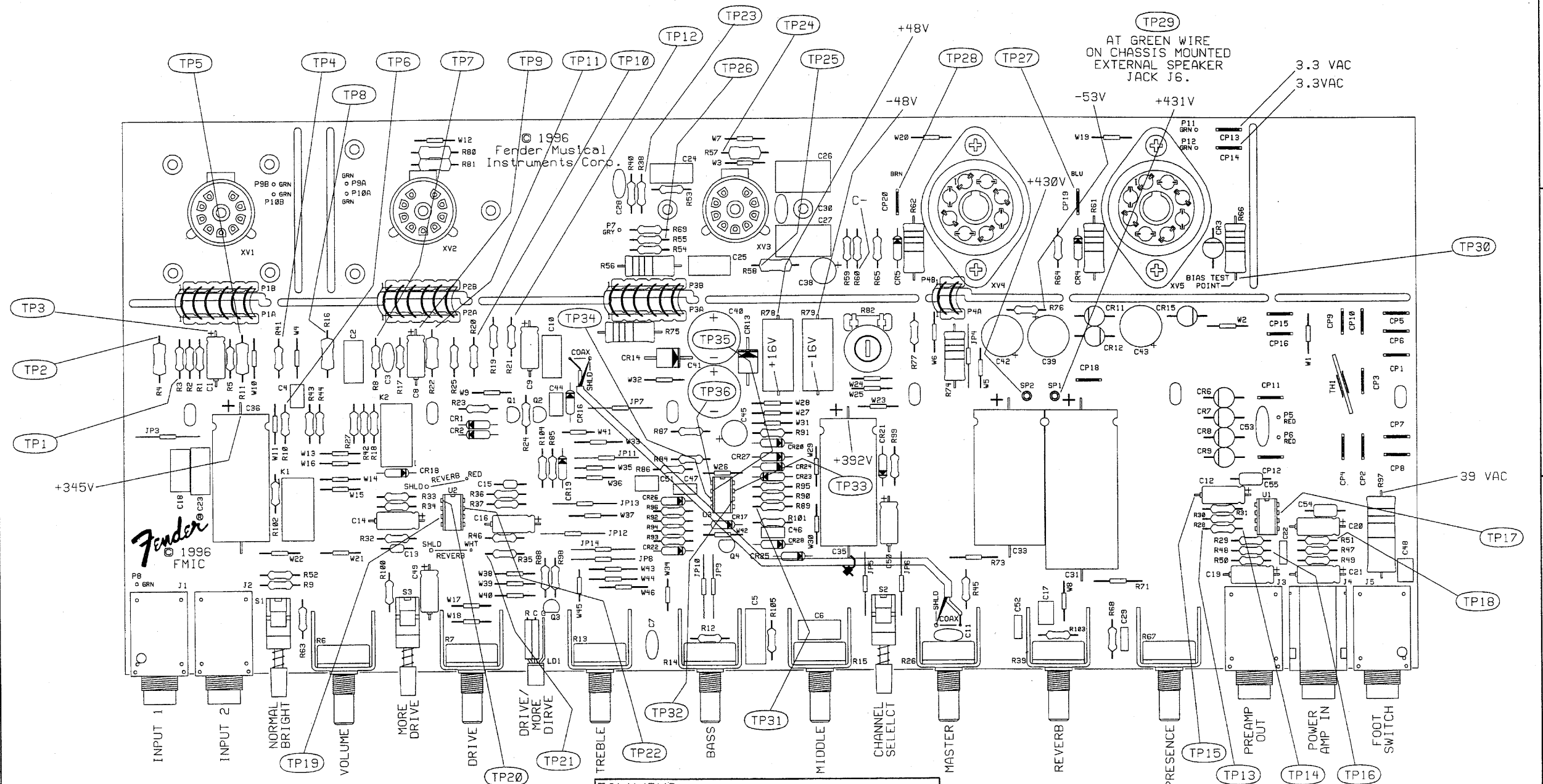
SHEET 05039800 1 OF 1

8 7 6 5 4 3 2 1

REVISIONS

ZONE	REV.	DESCRIPTION	DATE	APPROVED
	A	RELEASED PR325	13-MAY-96	MDW

NOTES:
1.) WIRES NOT SHOWN FOR CLARITY.

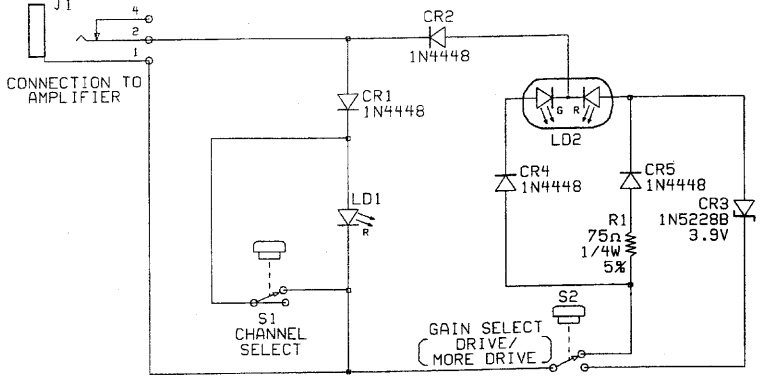


Fender
© 1996
FMIC

© 1996
Fender Musical
Instruments Corp.

FILM/DWG: SERVICE DIAGRAM	
DATABASE: Z325PA.DBF	DATE: 12-JUN-96
LAYERS PLOTTED: 1 2 3 4	10
	18

SCHEMATIC FOR FOOTSWITCH ASSEMBLY 050419.



DATABASE FILE: Z325PA.DBF CHECKED BY: JLA DATE: 08-MAY-96 APPROVED: MDW DATE: 13-MAY-96 TOLERANCES: UNLESS OTHERWISE NOTED X.X ±0.050" X.XX ±0.010" X.XXX ±0.005" ANGLES ±0.500°	PROPRIETARY THIS DRAWING DOCUMENT CONTAINS INFORMATION WHICH IS PROPRIETARY TO AND IS THE PROPERTY OF THE FENDER MUSICAL INSTRUMENTS CO. AND MAY NOT BE USED, REPRODUCED OR DISCLOSED IN ANY MANNER WITHOUT THE EXPRESSED WRITTEN CONSENT FROM: FENDER MUSICAL INSTRUMENTS CO. REGIONAL HEADQUARTERS 2621 RESEARCH DRIVE CORONA, CA 91720 USA IT IS TIME... NEXT HIGHER ASSEMBLY:	MUSICAL INSTRUMENTS 2621 Research Drive Corona, CA 91720 USA TITLE: SERVICE DIAGRAM HOT ROD DELUXE. SIZE: C DRAWN: M. WILKENS ENGR: M. WILKENS DRAWING NUMBER: 050399 REV.: A CREATED: 07-MAY-96 PLOTTED: 12-JUN-96 SCALE: NONE SHEET 1 OF 1
----------------------------------------------------------------------------------------------------------------------------------------------------------------------------------------------------------------	---------------------------------------------------------------------------------------------------------------------------------------------------------------------------------------------------------------------------------------------------------------------------------------------------------------------------------------------------------------------------------------------------------------	------------------------------------------------------------------------------------------------------------------------------------------------------------------------------------------------------------------------------------------------------------------------------------------------------------------------