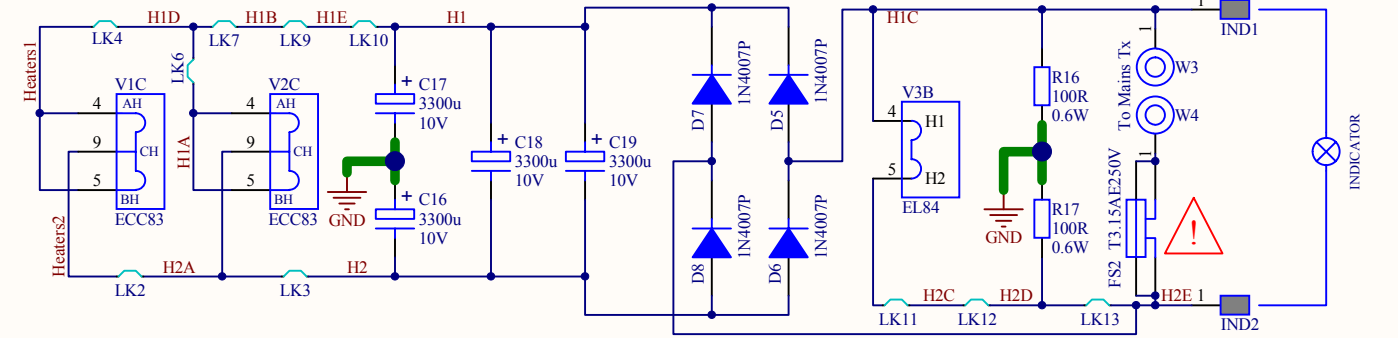
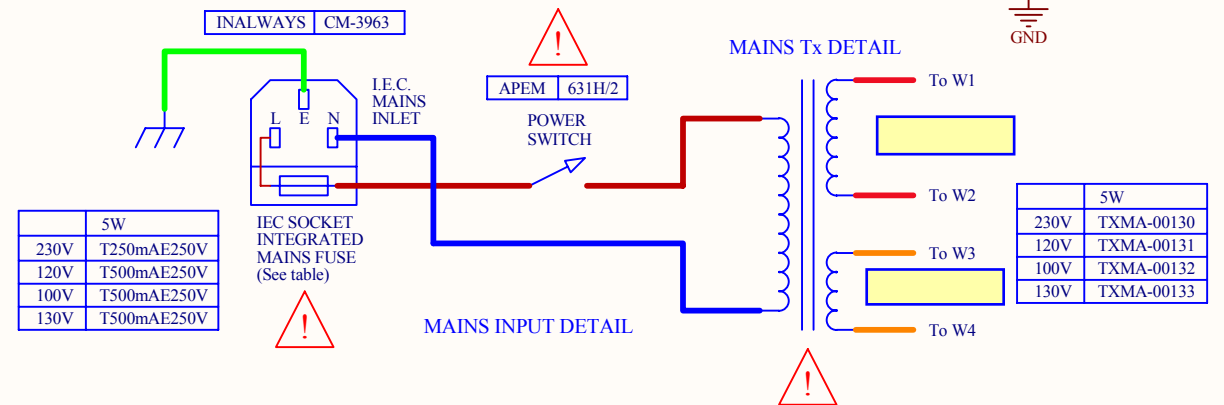
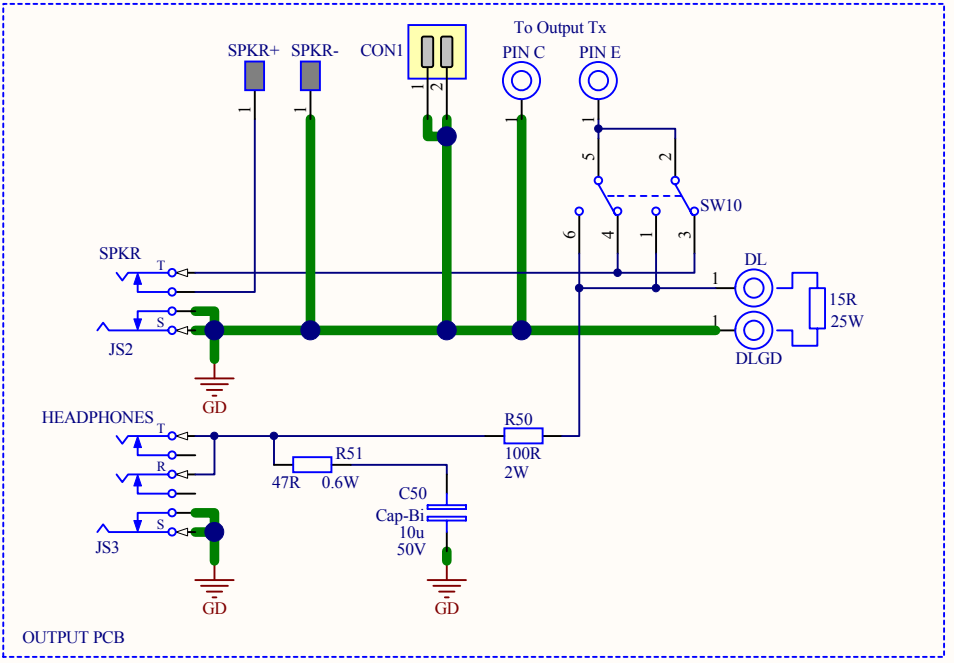
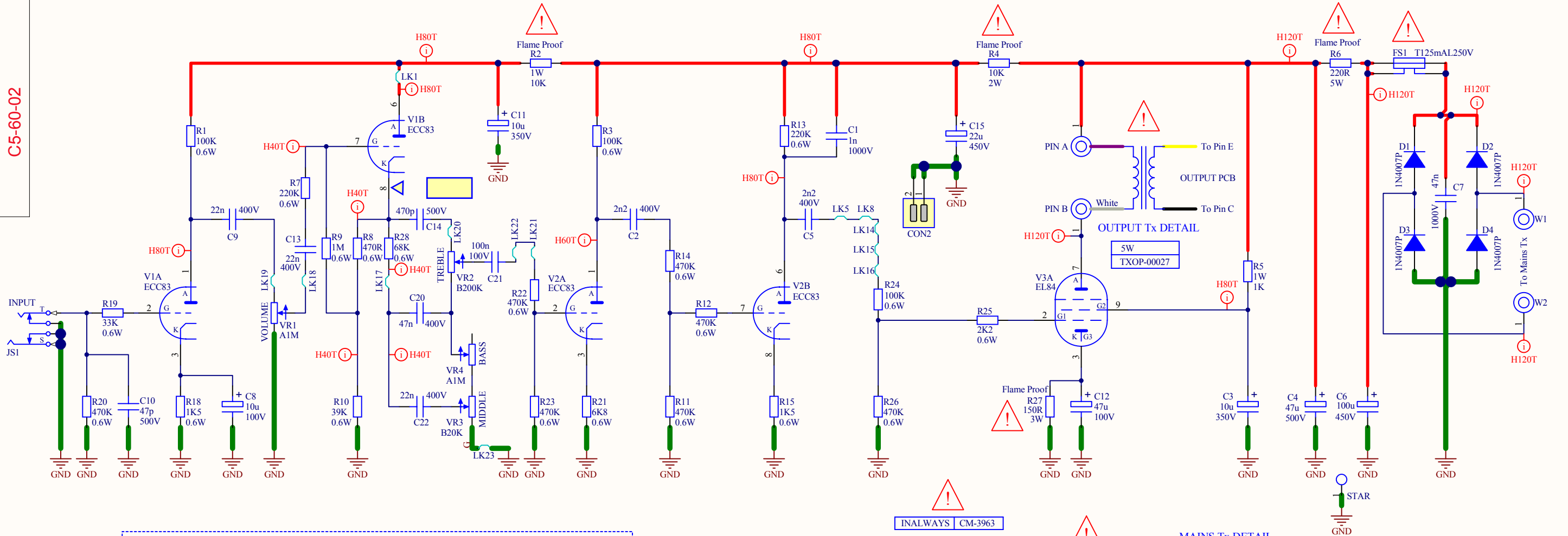


C5-60-02



2	APPROVALS	08-07-09
1	PRE-PROD	28-04-09
B1	Tx INFO ADDED	21-04-09
B	MODS	28-01-09
ISS	ECO NUMBER	DATE

SAFETY CRITICAL COMPONENTS
COMPONENTS MUST BE REPLACED WITH THE SAME TYPE AND RATING ONLY.

MATERIAL		DIMENSIONS IN mm	
MATERIAL THICKNESS		TOLERANCE (UNLESS OTHERWISE STATED)	
DRAWN S.B.	DATE 27-10-08	HOLE DIA = +/-	
CHECKED S.R.D.	DATE 28-04-09	DIMENSIONAL = +/-	
APPROVED ?	DATE ?	MODEL	
CLASS5 5W			



TITLE		
MAIN BOARD		
DWG. No.	ISS	Sheet
C5-60-02	2	1 of 1
Date: 13/07/2009		